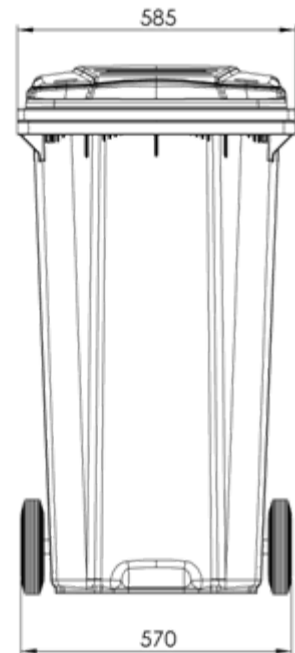
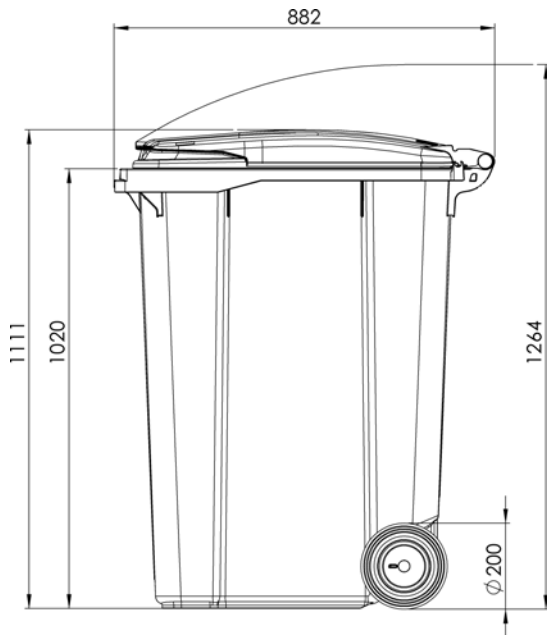


# MGB 360 SL

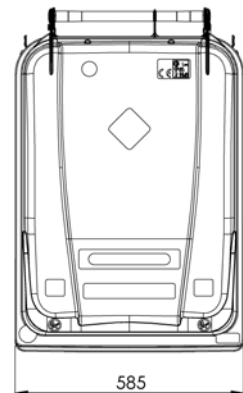
## DIN version



### TECHNICAL DATA

Volume	360 l
Weight	approx. 16 kg
Permissible total weight	max. 160 kg
Material	HDPE, UV-stabilized
Wheels	2 rubber wheels Ø 200mm corrosion free steel axle
Lid / Body	2 hinge pins lid with lip handle continuous handle: approx. Ø 27 mm integrated food board as standard

The products contain no substances on the SVHC list of the European Chemicals Agency (ECHA).



### OPTIONS

- Pad- / triangular lock
- Recycling inserts for glass, paper and packaging
- Individual identification
- Noise reduction
- Wheels Ø 300
- Identification systems
- Foot-operated lid opening
- Highway post

